

AD440 (G343)

AD440 (G343)

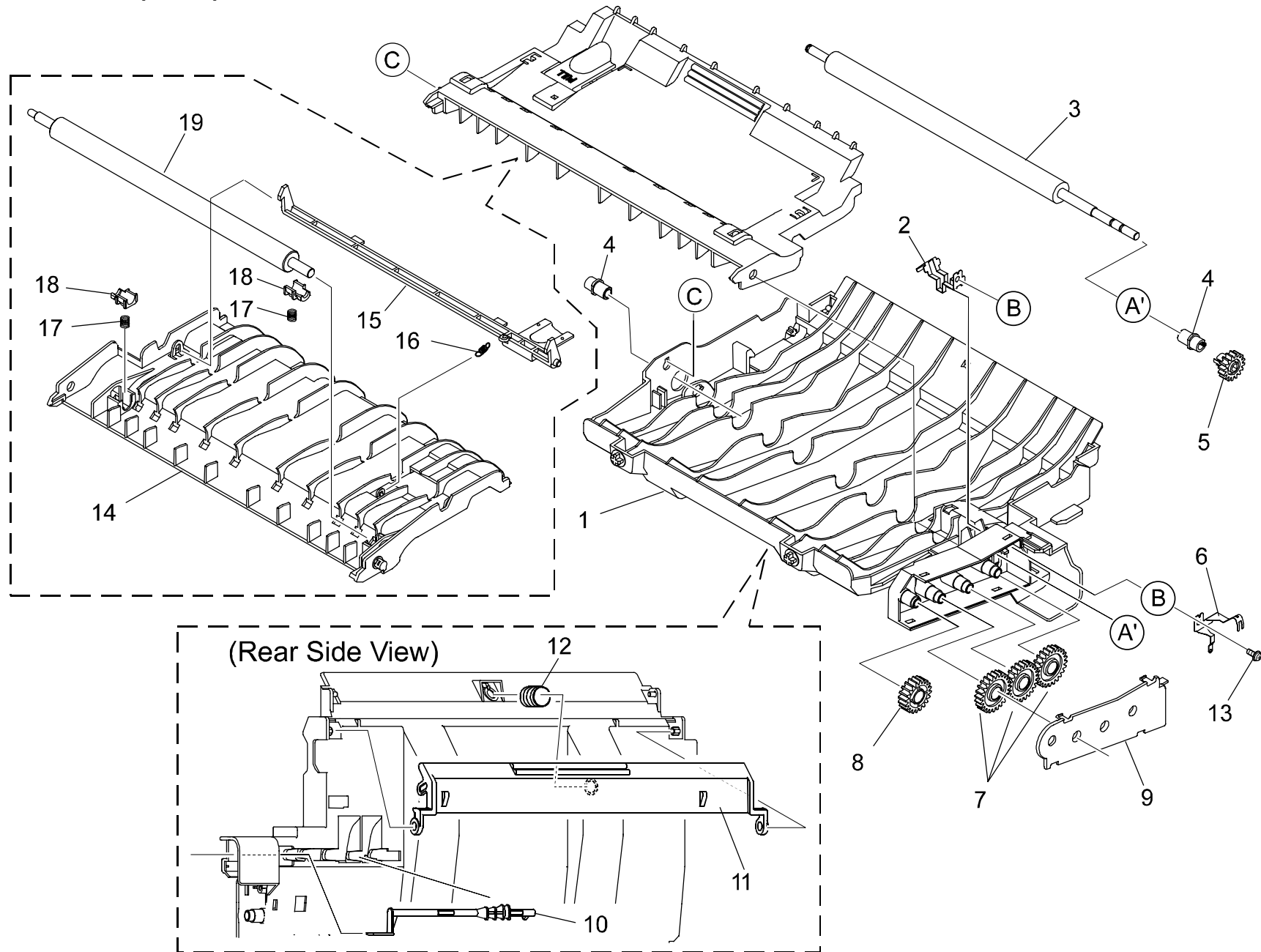
PARTS CATALOG

This catalog gives the numbers and names of parts on this machine.

1.DUPLEX UNIT (G343).....	2
PARTS INDEX	5

November ,28 ' 2002

1.DUPLEX UNIT (G343)



1.DUPLEX UNIT (G343)



Index No.	Part No.	Description	Q'ty Per Assembly
1	G343 1101	Frame - Duplex Unit	1
2	G343 1102	Granding Plate - Pinch Roller	1
3	G343 1103	Regist Roller	1
4	G081 2415	Bushing	2
5	G343 1105	Regist Roller Gear	1
6	G343 1106	Granding Plate	1
7	G343 1107	Gear 1	3
8	G343 1108	Gear 2	1
9	G343 1109	Gear Cover	1
10	G343 1110	Actuator - Resist Sensor	1
11	G343 1111	Lock Lever	1
12	G343 1112	Lock Lever Spring	1
13	G343 1113	Screw 3x6	1
14	G343 1114	Cover - Duplex Unit	1
15	G343 1115	Cover Lock Arm	1
16	G343 1116	Cover Lock Arm Spring	1
17	G343 1117	Pinch Roller Spring	2
18	G343 1118	Bushing	2
19	G343 1119	Pinch Roller	1

Index No.	Part No.	Description	Q'ty Per Assembly

Parts Index

Part No.	Description	Page and Index No.
G343 1101	Frame - Duplex Unit	3 - 1
G343 1102	Granding Plate - Pinch Roller	3 - 2
G343 1103	Regist Roller	3 - 3
G343 1105	Regist Roller Gear	3 - 5
G343 1106	Granding Plate	3 - 6
G343 1107	Gear 1	3 - 7
G343 1108	Gear 2	3 - 8
G343 1109	Gear Cover	3 - 9
G343 1110	Actuator - Resist Sensor	3 - 10
G343 1111	Lock Lever	3 - 11
G343 1112	Lock Lever Spring	3 - 12
G343 1113	Screw 3x6	3 - 13
G343 1114	Cover - Duplex Unit	3 - 14
G343 1115	Cover Lock Arm	3 - 15
G343 1116	Cover Lock Arm Spring	3 - 16
G343 1117	Pinch Roller Spring	3 - 17
G343 1118	Bushing	3 - 18
G343 1119	Pinch Roller	3 - 19

Part No.	Description	Page and Index No.
G081 2415	Bushing	3 - 4